

IV-CAM-I20

Crestron 1 Beyond i20 Intelligent PTZ Camera, 20x Optical Zoom



- *Visual AI for Presenter Tracking*
- *High quality video supporting resolutions up to 1080p60*
- *Automatically pans, tilts, and zooms with dual camera technology, no external computer required*
- *Supports 20x optical zoom for tracking distances up to 50 ft from participants*
- *Connects directly to a codec or recording/streaming device*
- *Single Ethernet connection provides power (PoE), viewing, control, and NDI®/HX video*
- *Easily configured with Crestron 1 Beyond Camera Manager software*
- *Compatible with Automate VX multi-camera systems*
- *Available in Moon Gray and Bright White colors*

The [IV-CAM-I20](#) is a high quality intelligent PTZ camera that uses visual AI to automatically track or frame a presenter. The IV-CAM-I20 is ideal for presenter tracking in large to extra large sized training rooms and classrooms, and group tracking meeting participants in large to extra large conference rooms. The IV-CAM-I20 has a dual camera design; the wide-angle reference camera uses visual AI to direct the PTZ camera. All visual AI is built into the camera – no external system is needed.

Presenter Tracking Capability

Visual AI is used to smoothly track a single moving presenter as they move through a designated presentation area. It is easily configurable to prevent tracking other subjects or displays by using Blocking Zones. Recommended tracking range is 15 to 50 ft from the presentation area.

Group Tracking Technology

Group Tracking utilizes visual AI to track multiple presenters smoothly in large training rooms and classrooms. The wide-angle reference camera continuously detects when participants enter or leave the presentation area, and the PTZ camera pans, tilts, and zooms to keep all presenters in the frame.

Preset Zones

Preset Zones utilizes visual AI to frame a dedicated area of the room. When a participant enters the Preset Zone, the camera automatically displays the area regardless of who is currently talking or where other participants may be.

Automate VX Compatible

The IV-CAM-I20 camera is compatible with Automate VX multi-camera speaker tracking systems. Use the IV-CAM-I20 presenter tracking in a designated area within 50 ft.

High Quality Video

A high quality Sony® CMOS sensor enables the camera to output up to 1080p60 resolution video.

Networked Power, Viewing, and Control

Connect a single Ethernet cable to power (PoE), view, set up, and control the IV-CAM-I20 camera.

Mounting Options

Standard mounting holes make it easy to mount the camera. The IV-CAM-I20 ships with the color matched [IVA-WMT-BRKT-1B](#) Wall Mount Bracket, and is compatible with the [IV-CAMA-UMB](#) Universal Mounting Bracket and the [IVA-CMT-BRKT-1B](#) J-Mount Ceiling Bracket (both sold separately).

Specifications

Optics

Image Sensor	1/2.8 Sony CMOS Sensor
Optical Zoom	20x
Focal Length	F=5.2-94 mm
Field of View (PTZ)	Horizontal: 56.45° Vertical: 40.31°
Field of View (Reference)	Horizontal: 104° (dynamically adjusts) Vertical: 57°
Shutter Speed	1/50-1/10,000 sec
Iris	F1.5-F3.0
Minimum Illumination	20 lux
Pan/Tilt Angle	Pan: -130° -130°, Tilt: -30°-90°
Pan/Tilt Speed	Pan: 0.2° -90°/s, Tilt: 0.2°-70°/s

IV-CAM-I20

Crestron 1 Beyond i20 Intelligent PTZ Camera, 20x Optical Zoom

Camera Processing

Intelligent Video Functions	Presenter Tracking, Group Tracking, Preset Zones
Recommended Range	15-50 ft

Video

Video Outputs	3G-SDI, HDMI®, USB, NDI HX, ONVIF, RTSP
Signal Formats	SDI or HDMI: 1080p60/59.94/50/30/29.94/25, 720p60/59.94/50 USB: 1080p30/25, 720p30/25, 360p30

Communications

USB	USB-B 3.0
Ethernet	RJ-45, 100Mbps
Serial	RS-232, RS-485
Control Protocol	VISCA/TCP, VISCA/UDP, PELCO-D, PELCO-P, ONVIF

Management Client

Software	Crestron 1 Beyond Camera Manager (Windows® OS computer required)
-----------------	--

Connectors

COM	(1) 5-pin 3.5 mm detachable terminal block; Bidirectional RS-232/485 port
PoE	(1) 8-pin RJ-45 connector, female
3G-SDI OUT	(1) BNC connector, female; 3G-SDI digital video output
HDMI OUT	(1) HDMI Type A connector; HDMI digital video output
USB	(1) USB Type B connector, female; USB 3.0 device port for video and control
12VDC 2.5A	(1) 3.3 mm DC power connector; 12VDC power input; PW-1225DU power pack sold separately

Controls and Indicators

Status Bar	(1) Multisegment tricolor LED bargraph; Half green LED bargraph indicates live camera feed; Full green LED bargraph indicates camera tracking; Full amber LED bargraph indicates firmware upgrade; Half red LED bargraph indicates Privacy Mode
RESET	(1) Recessed push button for hardware reset

Power

Power Source Options	Ethernet (PoE), Power Pack (PW-1225DU)
Power over Ethernet	IEEE 802.3af Class 3 Powered Device
Power over Ethernet Rating	15.4 W

NOTE: To comply with the European Directive (CE), shielded CAT5e cable must be used as a minimum for PoE power.

Power Pack (sold separately)	12VDC, 2.5A, 50/60 Hz
-------------------------------------	-----------------------

Environmental

Temperature	32° to 104°F (0° to 40°C)
Humidity	10% to 90% RH (noncondensing)

IV-CAM-I20

Crestron 1 Beyond i20 Intelligent PTZ Camera, 20x Optical Zoom

Construction

Mounting Options	IVA-WMT-BRKT-1B 1 Beyond Wall Mount Bracket (included), IVA-CMT-BRKTJ-1B 1 Beyond J-Mount Bracket (sold separately), IVA-CAMA-UMB 1 Beyond Universal Mounting Bracket (sold separately)
Mounting Thread	1/4 in. threaded mount hole

Dimensions

Height	6.51 in. (165 mm)
Width	8.90 in. (226 mm)
Depth	5.86 in. (149 mm)

Weight

4.11 lb (1.86 kg)

Compliance

Regulatory Model: M202306001

FCC Part 15 Class B, IC Class B, CE, Intertek® Listed for US and Canada

Models

IV-CAM-I20-B

Crestron 1 Beyond i20 Intelligent PTZ Camera, 20x Optical Zoom, Moon Gray

IV-CAM-I20-W

Crestron 1 Beyond i20 Intelligent PTZ Camera, 20x Optical Zoom, Bright White

Included Accessories

IVA-WMT-BRKT-1B

Crestron 1 Beyond Wall Mount Bracket

Available Accessories

For a list of available accessories, visit the [IV-CAM-I20](#) product page.

This product may be purchased from select authorized Crestron dealers and distributors. To find a dealer or distributor, please contact the Crestron sales representative for your area. A list of sales representatives is available online at www.crestron.com/How-To-Buy/Find-a-Representative or contact us for additional information by visiting www.crestron.com/contact/our-locations for your local contact.

The original language version of this document is U.S. English. All other languages are a translation of the original document.

The product warranty can be found at www.crestron.com/warranty.

The specific patents that cover Crestron products are listed online at www.crestron.com/legal/patents.

Certain Crestron products contain open source software. For specific information, please visit www.crestron.com/opensource.

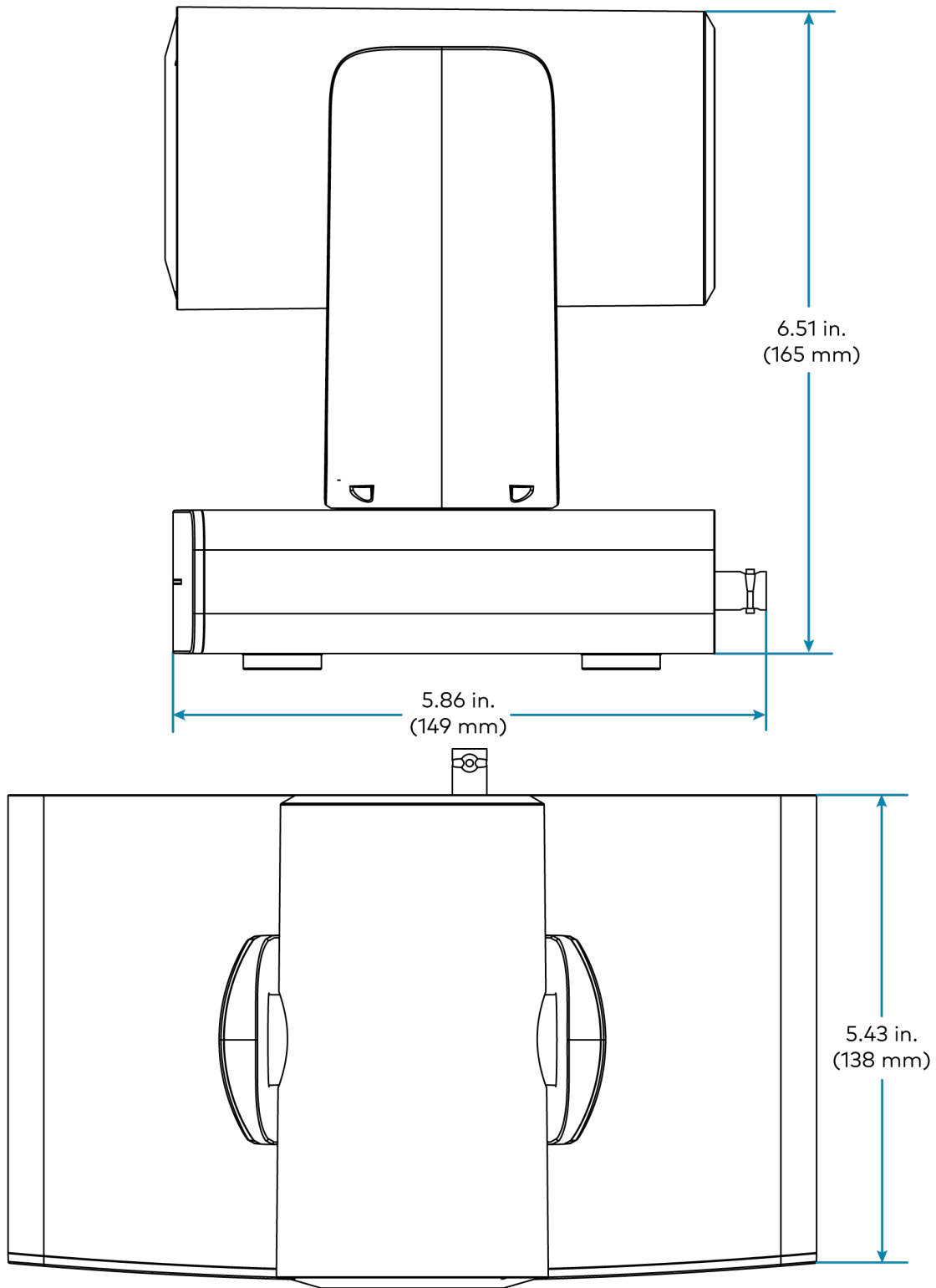
Crestron and the Crestron logo are either trademarks or registered trademarks of Crestron Electronics, Inc. in the United States and/or other countries. HDMI is either a trademark or a registered trademark of HDMI Licensing LLC in the United States and/or other countries. Intertek and the Intertek logo are either trademarks or registered trademarks of Intertek Group in the United States and/or other countries. Microsoft Teams is either a trademark or a registered trademark of Microsoft Corporation in the United States and/or other countries. NDI is either a trademark or a registered trademark of NewTek, Inc. in the United States and/or other countries. Windows is either a trademark or a registered trademark of Microsoft Corporation in the United States and/or other countries. Zoom Rooms is either a trademark or registered trademark of Zoom Video Communications, Inc. in the United States and/or other countries. Other trademarks, registered trademarks, and trade names may be used in this document to refer to either the entities claiming the marks and names or their products. Crestron disclaims any proprietary interest in the marks and names of others. Crestron is not responsible for errors in typography or photography.

Specifications are subject to change without notice.

©2024 Crestron Electronics, Inc.

IV-CAM-I20

Crestron 1 Beyond i20 Intelligent PTZ Camera, 20x Optical Zoom



IV-CAM-I20

Crestron 1 Beyond i20 Intelligent PTZ Camera, 20x Optical Zoom

